

INTRODUCTION

ATM attacks are a rising threat worldwide. The simplicity of a successful attack in just minutes, combined with the large amounts of cash held inside the ATM at any given time have made the ATM's into an ideal target for street criminals around the world.

Banks and private ATM companies have been suffering tremendous losses on a weekly basis just because their ATM's stand naked with no effective anti-criminal protection solution. Now there is a way to protect your ATM's and make sure they are not a worthy target for criminals.

With a highly qualified R&D team and some of Israel's top security engineers and product designers, **D-Fence** has managed to come up with the finest solutions to combat ATM crimes of all kinds on a global scale.



INTRODUCTION

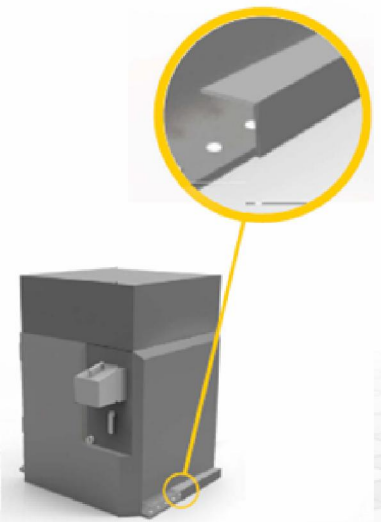
In the ATM industry, D-Fence is known for creating the ultimate security solutions and delivering the best quality ATM shields in the Middle East.

At D-Fence we believe that you should not have to sacrifice appearance for functionality. We are committed to delivering high-quality, sleek outdoor and indoor shielding solutions that protect your ATMs from fraudulent activity and simultaneously invite your clients to withdraw money.



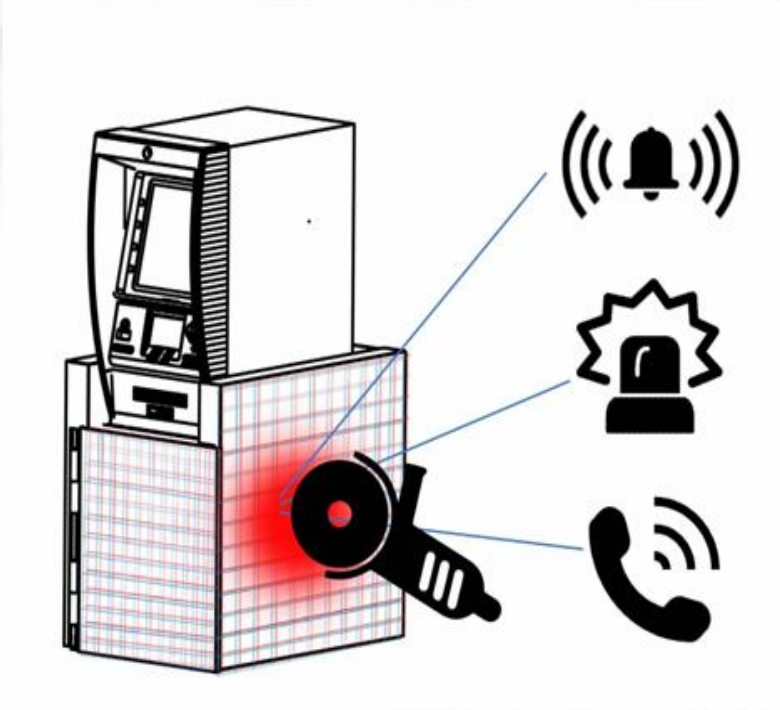
SOLUTIONS

Our solutions have been developed to provide security and protection to all types of ATM's such as "Through the Wall", Internal/Lobby ATM's and machines placed outdoors.



SOLUTIONS

In addition to providing protection and security for the ATM's, our solutions have also Real Time indication and alert in case of any tampering alert.



INNOVATIVE SOLUTIONS





The solutions are customized and fitted to the specific needs of each client.



Whatsapp: +2348038471737, +2348072022722, Mob: +2348025554430, +2348175702206